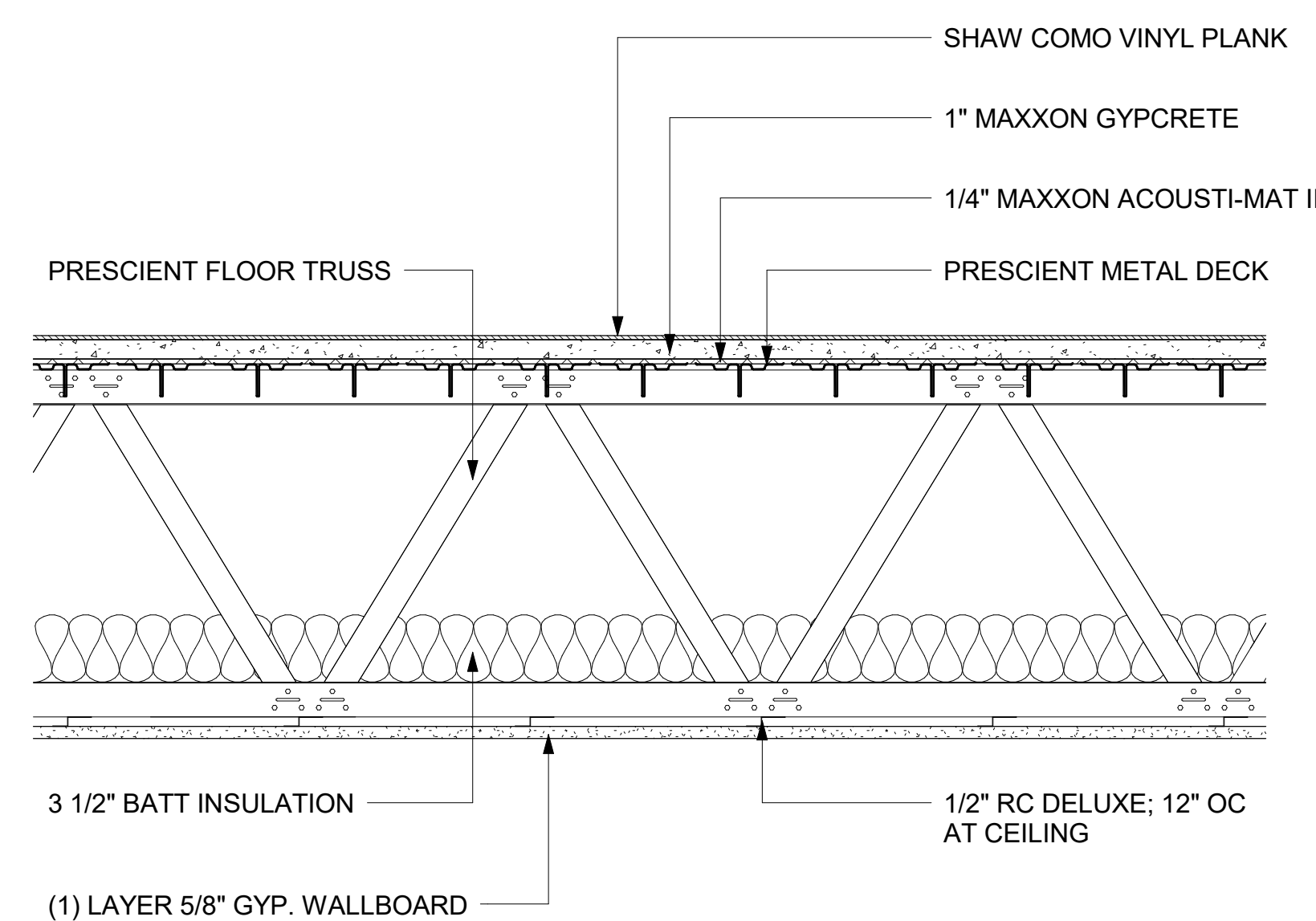


PRESCIENT®
FASTER. BETTER. GREENER. CHEAPER.

©2010-2017, PrescientCo Inc. ALL RIGHTS RESERVED. PrescientCo Inc. PRODUCTS MAY BE COVERED BY ONE OR MORE US AND FOREIGN PATENTS. SEE HTTP://WWW.PRESCIENTCO.COM/OUR-PATENTS/

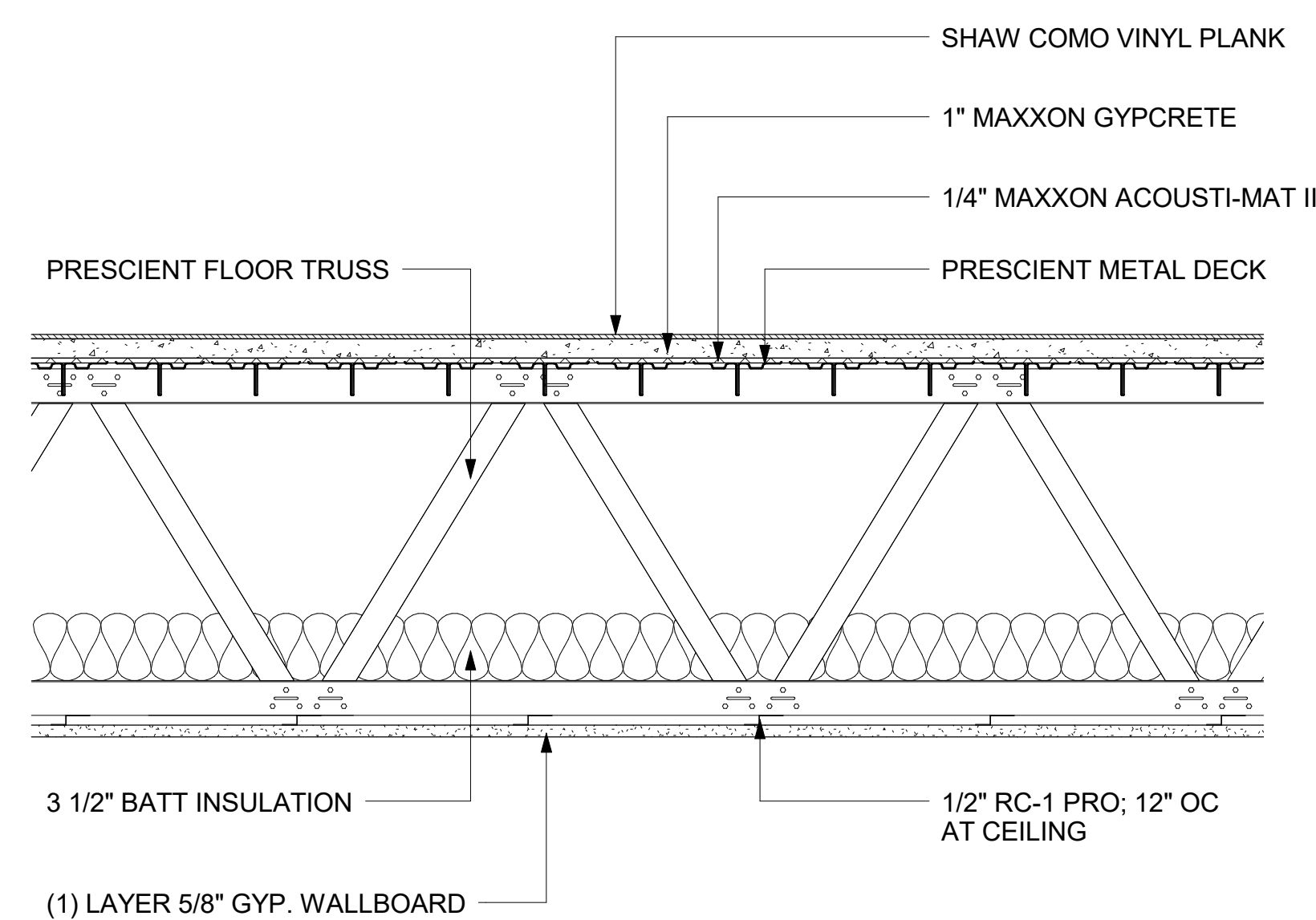
The drawings and all information related to the specifications, parameters, and the bills of materials, as provided herein, are intellectual property of Prescient, inc. (the "Prescient IP"). You shall not use the Prescient IP for anything other than for the project specified in the Permit Documents.



STC	56
IIC	53

SECTION

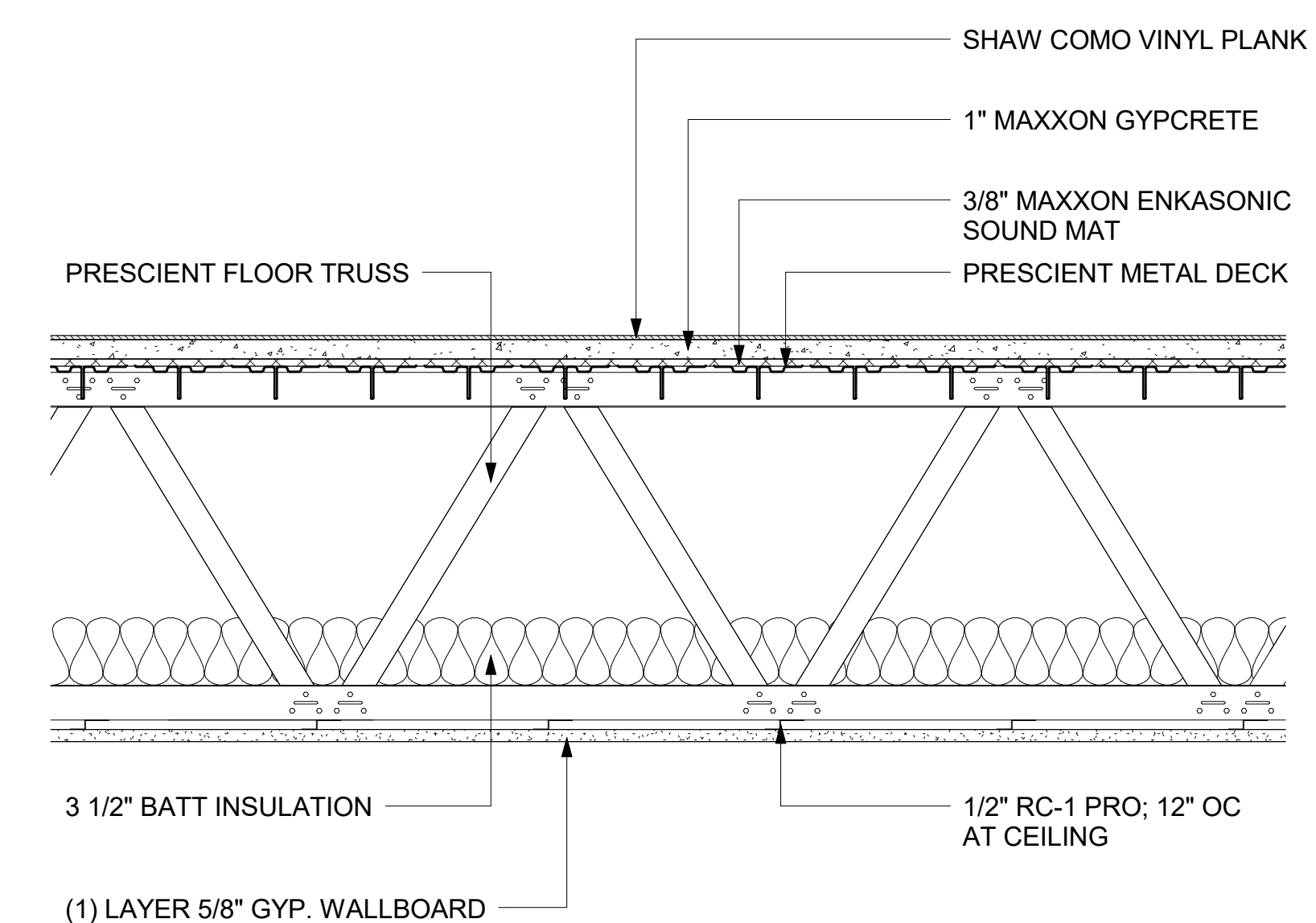
1 Prescient Floor/Ceiling Assembly - Metal Deck with Vinyl Plank Finish (TYP)
1 1/2" = 1'-0"



STC	56
IIC	51

SECTION

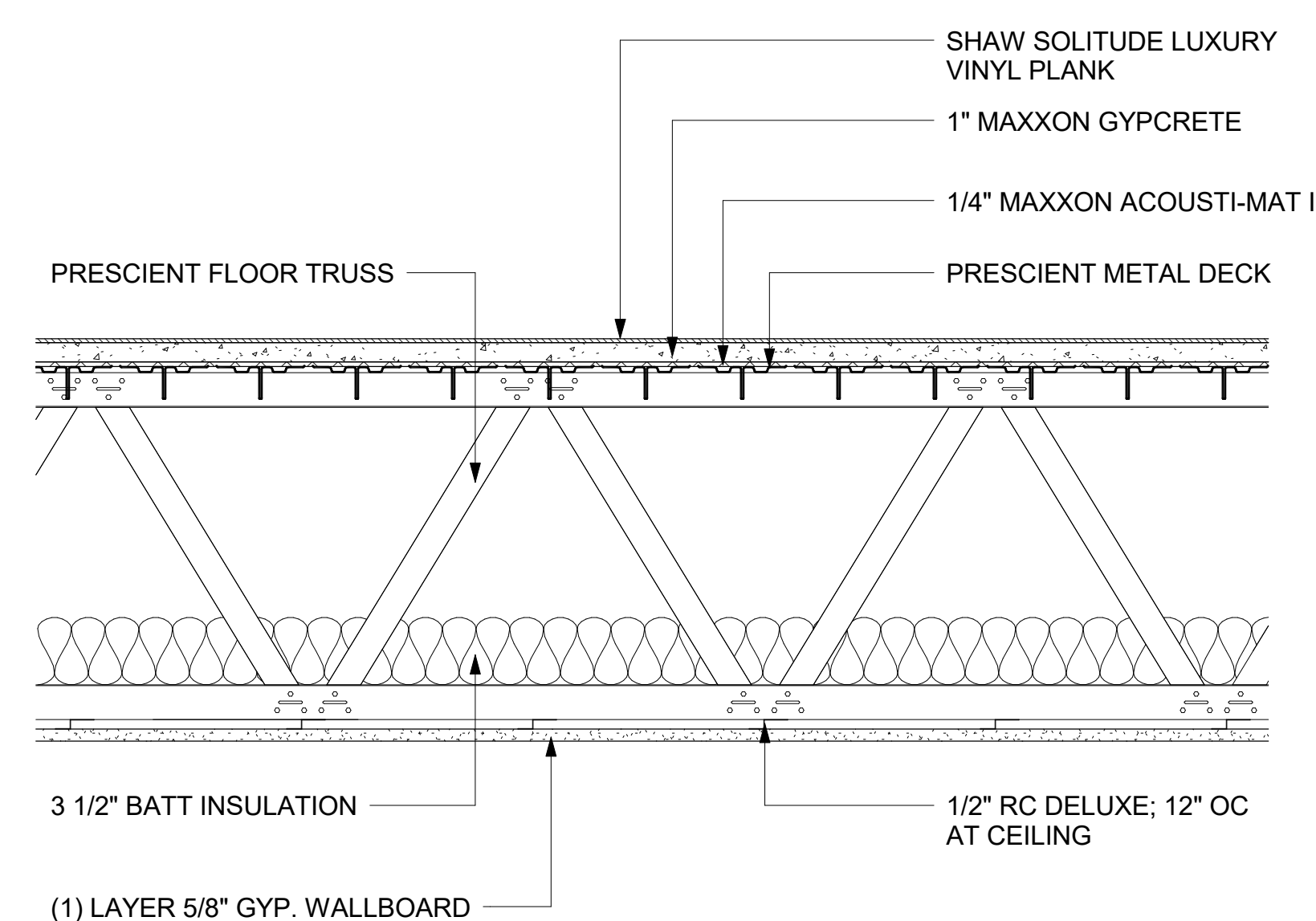
2 Prescient Floor/Ceiling Assembly - Metal Deck with Vinyl Plank Finish (TYP)
1 1/2" = 1'-0"



STC	54
IIC	52

SECTION

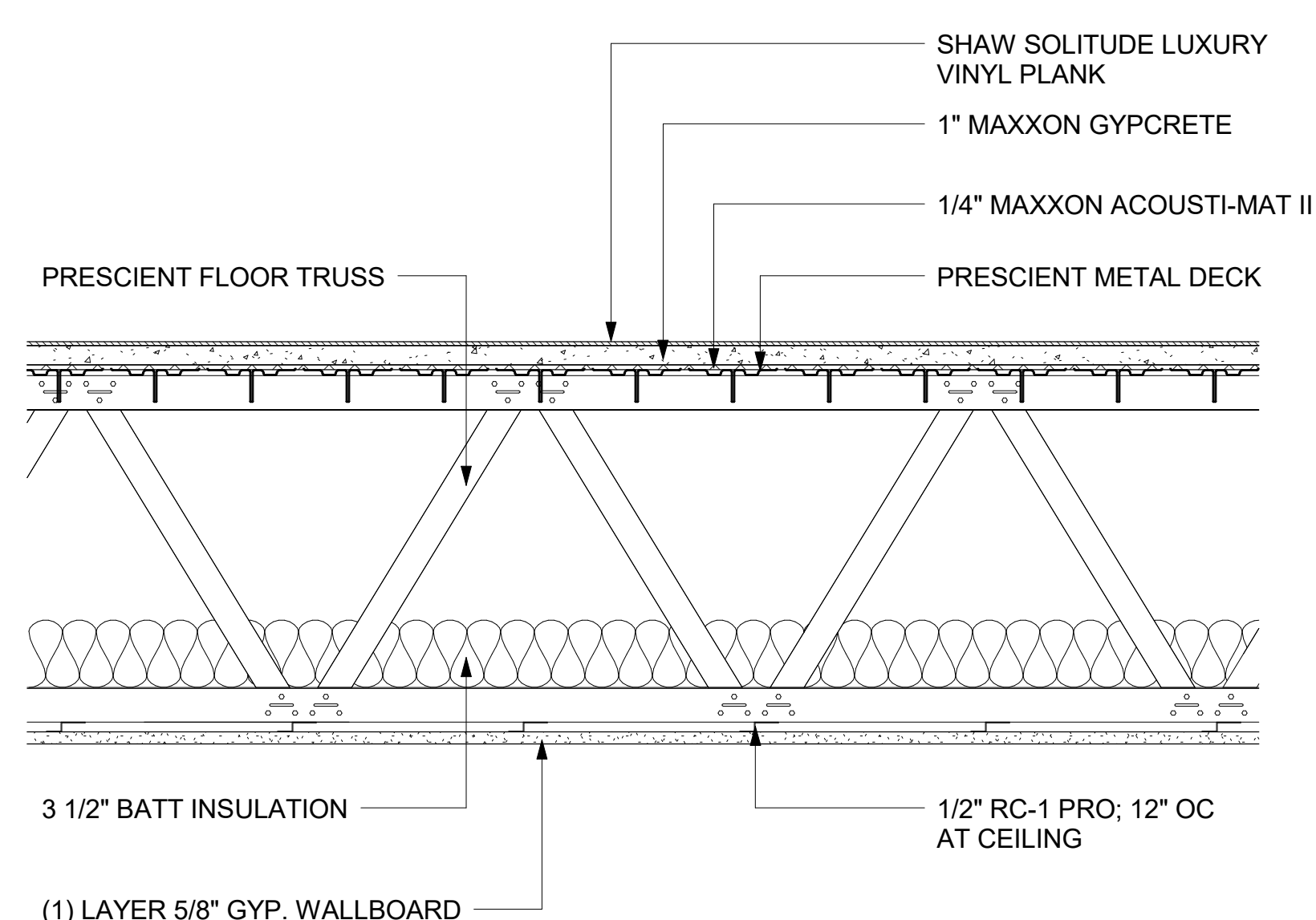
3 Prescient Floor/Ceiling Assembly - Metal Deck with Vinyl Plank Finish (TYP)
1 1/2" = 1'-0"



STC	56
IIC	52

SECTION

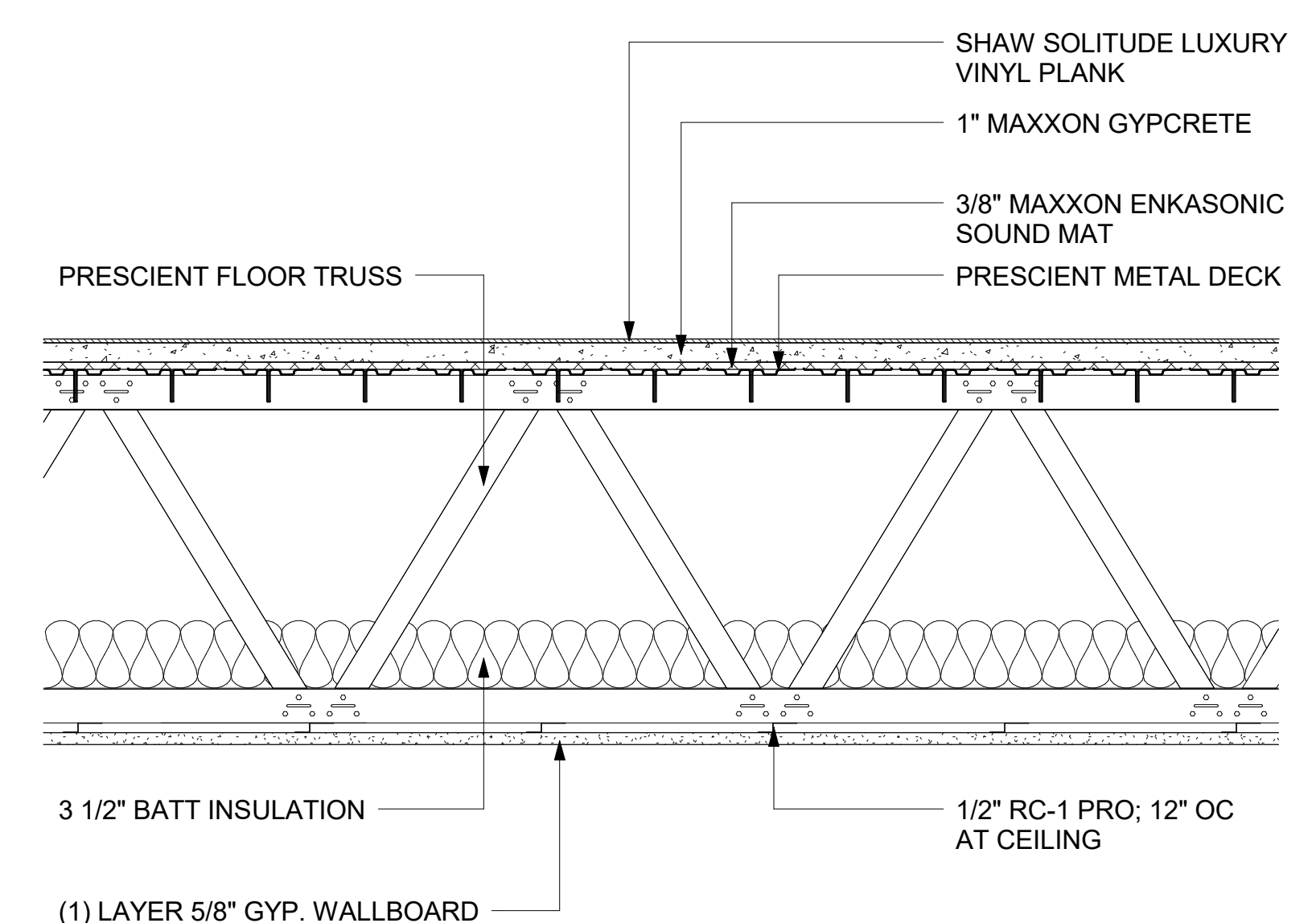
4 Prescient Floor/Ceiling Assembly - Metal Deck with Luxury Vinyl Plank Finish (TYP)
1 1/2" = 1'-0"



STC	56
IIC	51

SECTION

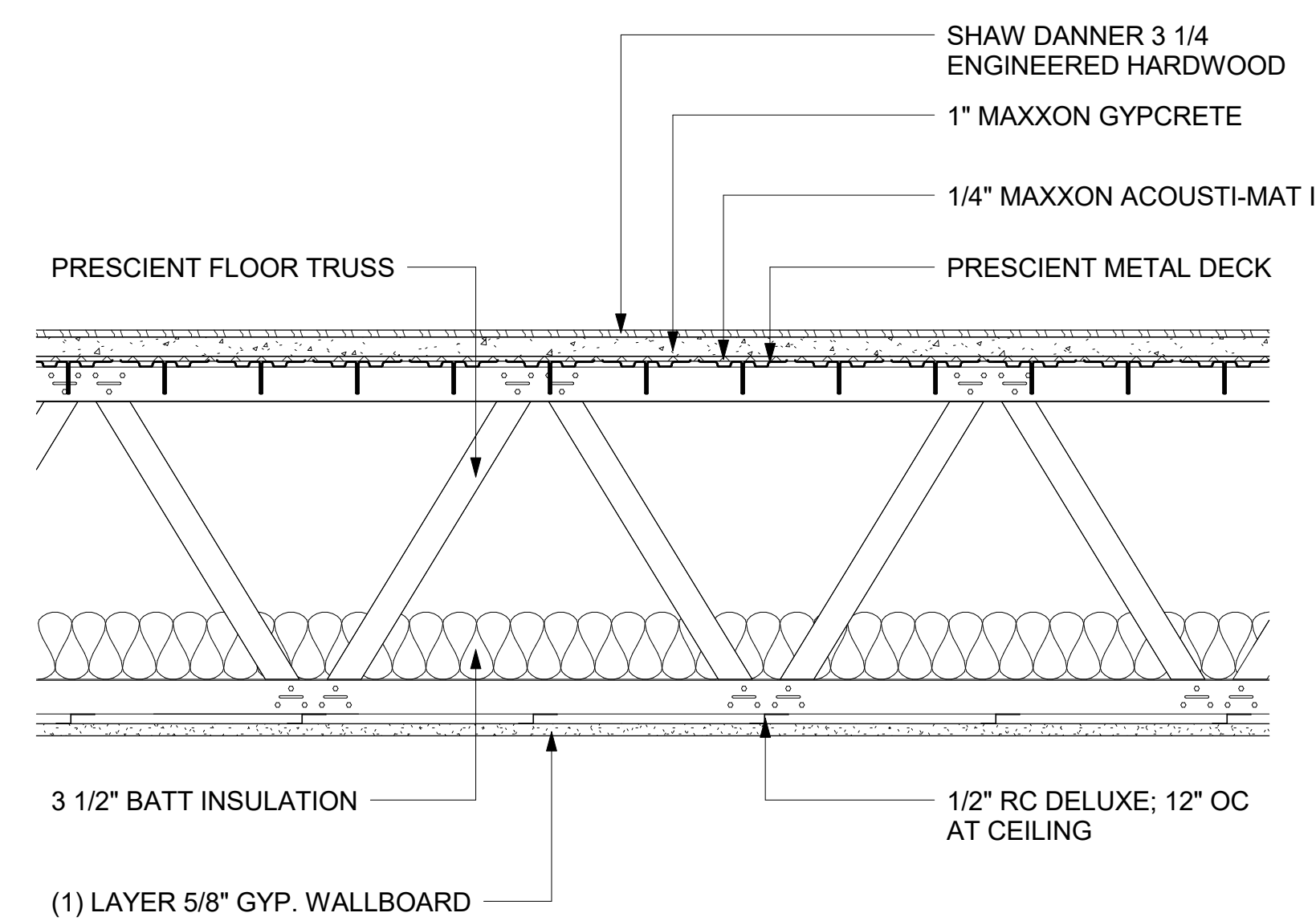
5 Prescient Floor/Ceiling Assembly - Metal Deck with Luxury Vinyl Plank Finish (TYP)
1 1/2" = 1'-0"



STC	54
IIC	53

SECTION

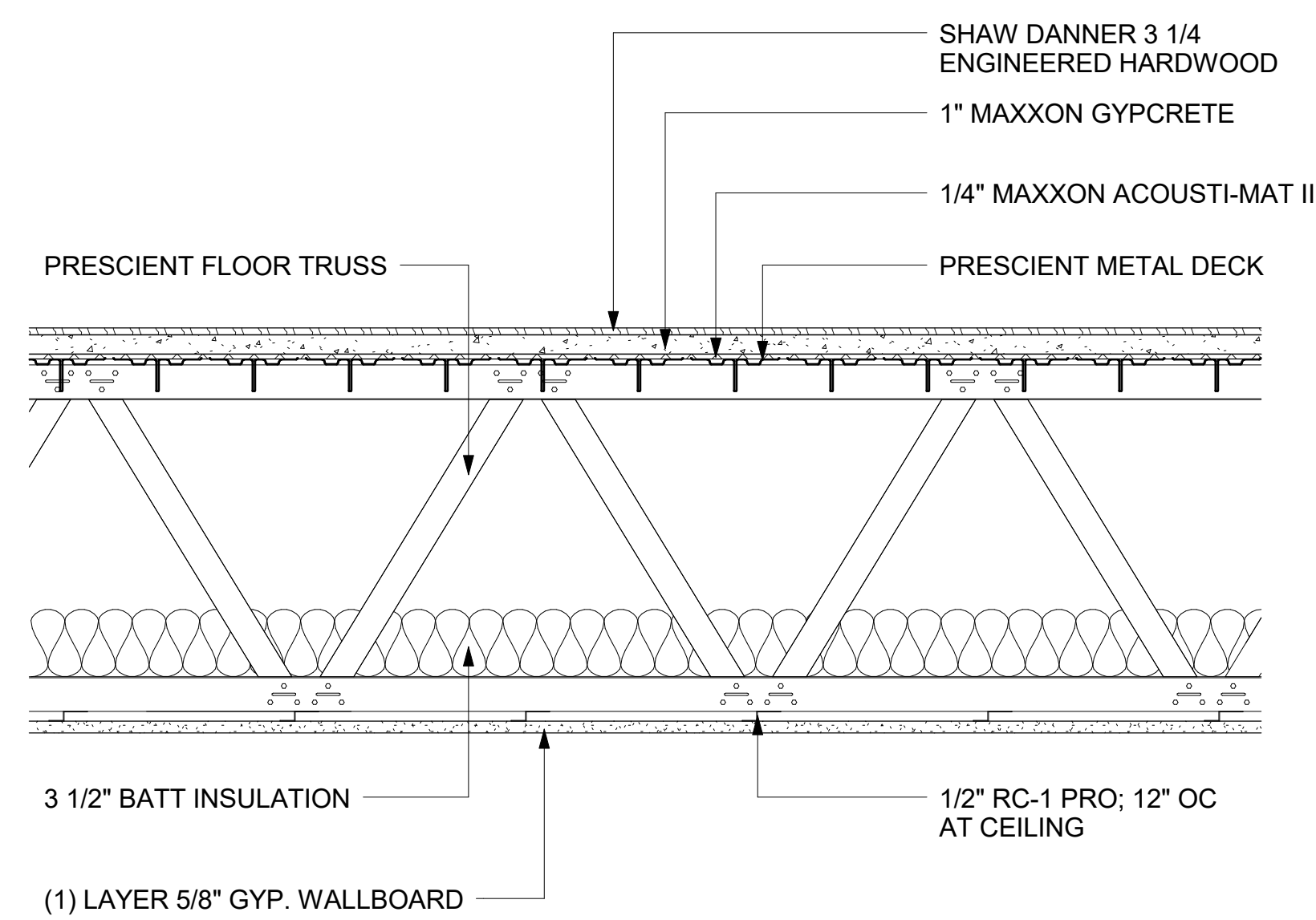
6 Prescient Floor/Ceiling Assembly - Metal Deck with Luxury Vinyl Plank Finish (TYP)
1 1/2" = 1'-0"



STC	56
IIC	58

SECTION

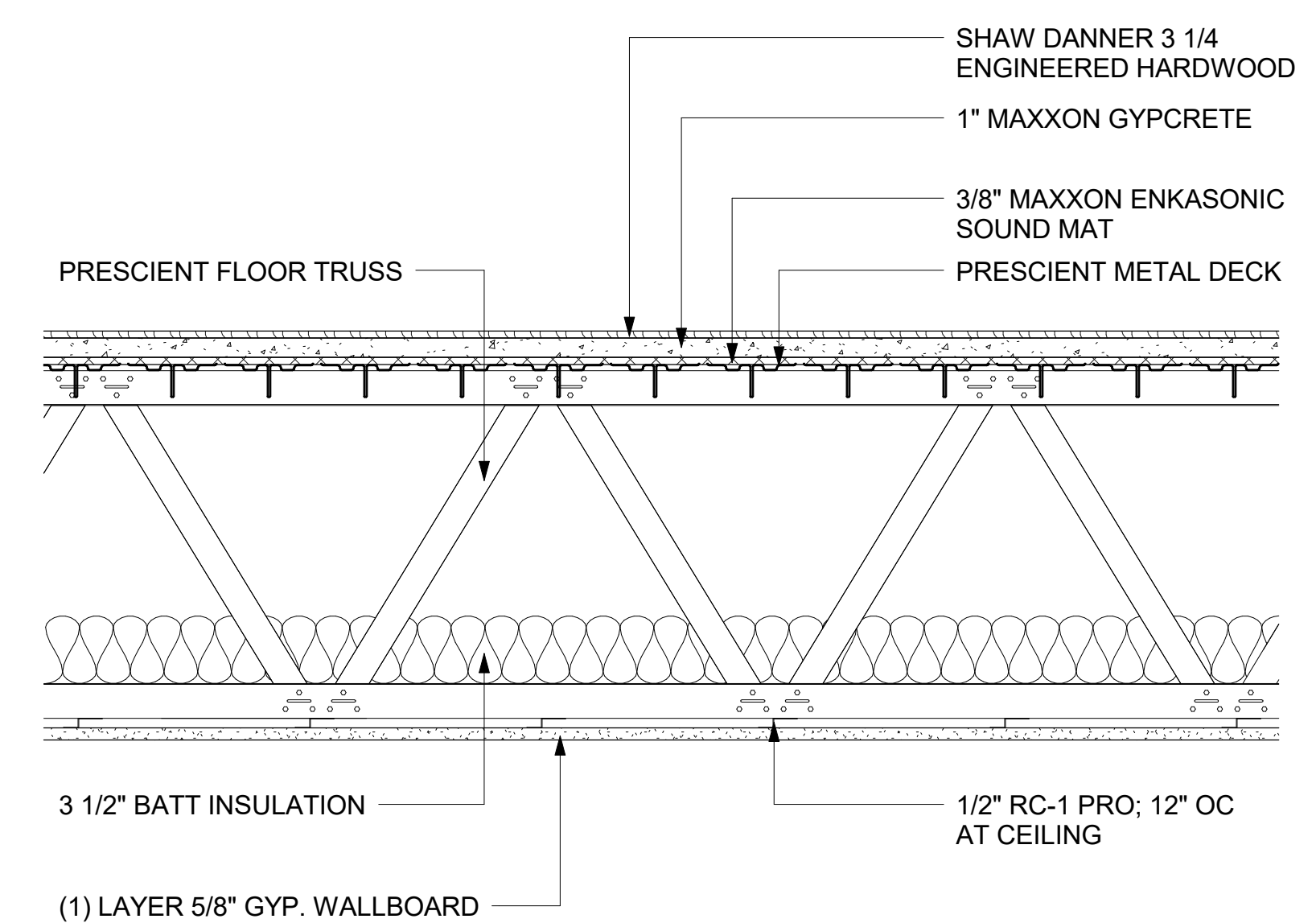
7 Prescient Floor/Ceiling Assembly - Metal Deck with Engineered Hardwood Finish (TYP)
1 1/2" = 1'-0"



STC	56
IIC	53

SECTION

8 Prescient Floor/Ceiling Assembly - Metal Deck with Engineered Hardwood Finish (TYP)
1 1/2" = 1'-0"



STC	54
IIC	53

SECTION

9 Prescient Floor/Ceiling Assembly - Metal Deck with Engineered Hardwood Finish (TYP)
1 1/2" = 1'-0"

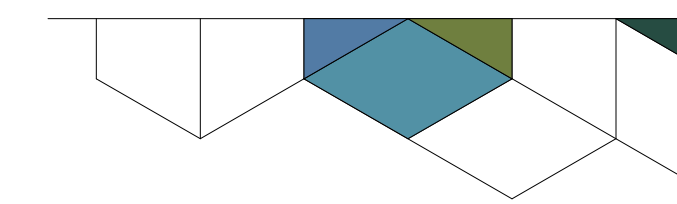
PRESCIENT SOUND ASSEMBLIES - FLOOR/CEILING - METAL DECK

FLOOR/CEILING LAB TEST RESULTS

PROJECT NO.	N505
DATE	11/17/17
DRWN BY	JDS
CHKD BY	EPH
SHEET NO.	

SP.8

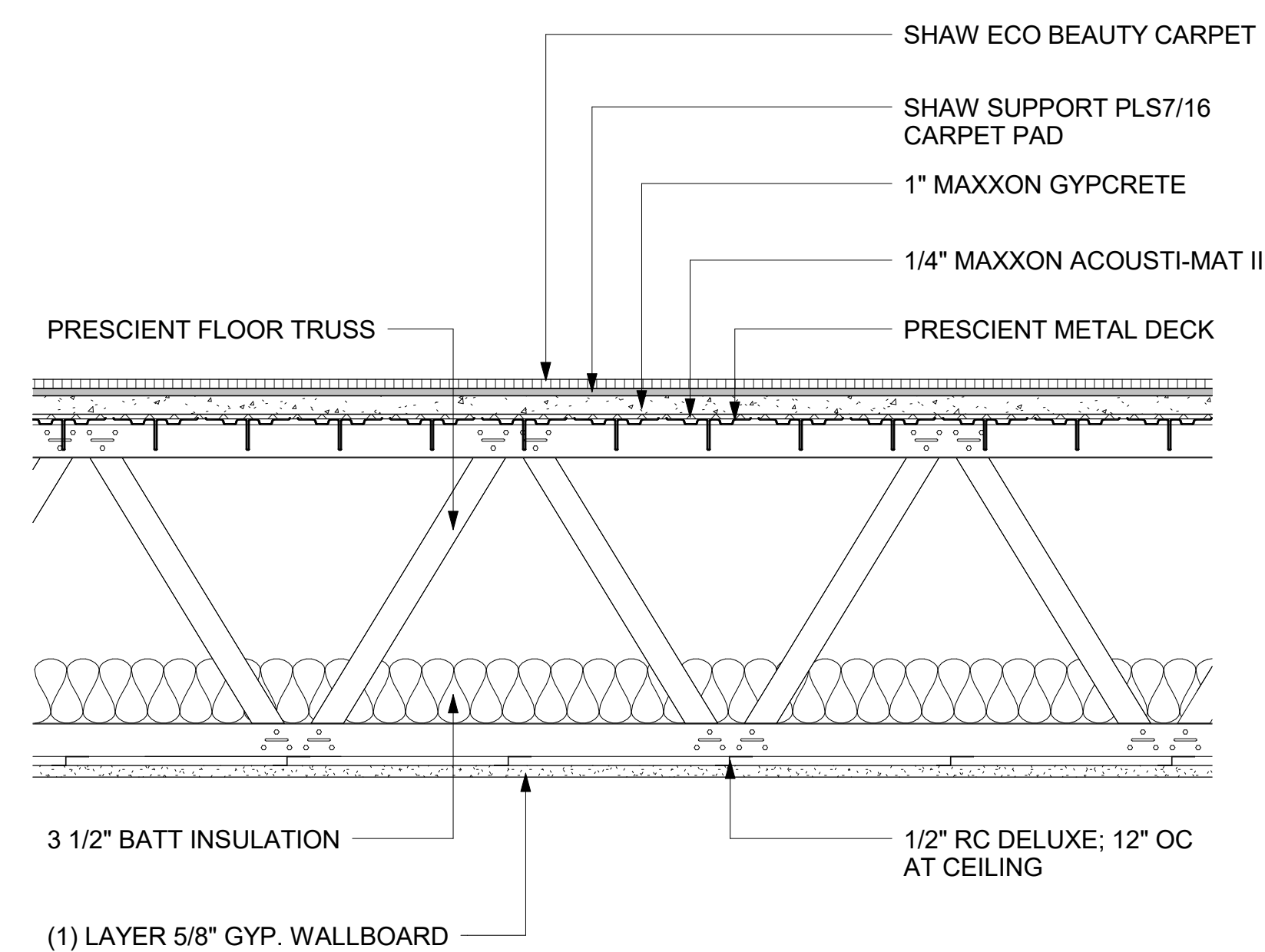
SCALE 1 1/2" = 1'-0"



PRESCIENT®
FASTER. BETTER. GREENER. CHEAPER.

©2010-2017, PrescientCo Inc. ALL RIGHTS RESERVED. PrescientCo Inc. PRODUCTS MAY BE COVERED BY ONE OR MORE US AND FOREIGN PATENTS. SEE HTTP://WWW.PRESCIENTCO.COM/OUR-PATENTS/

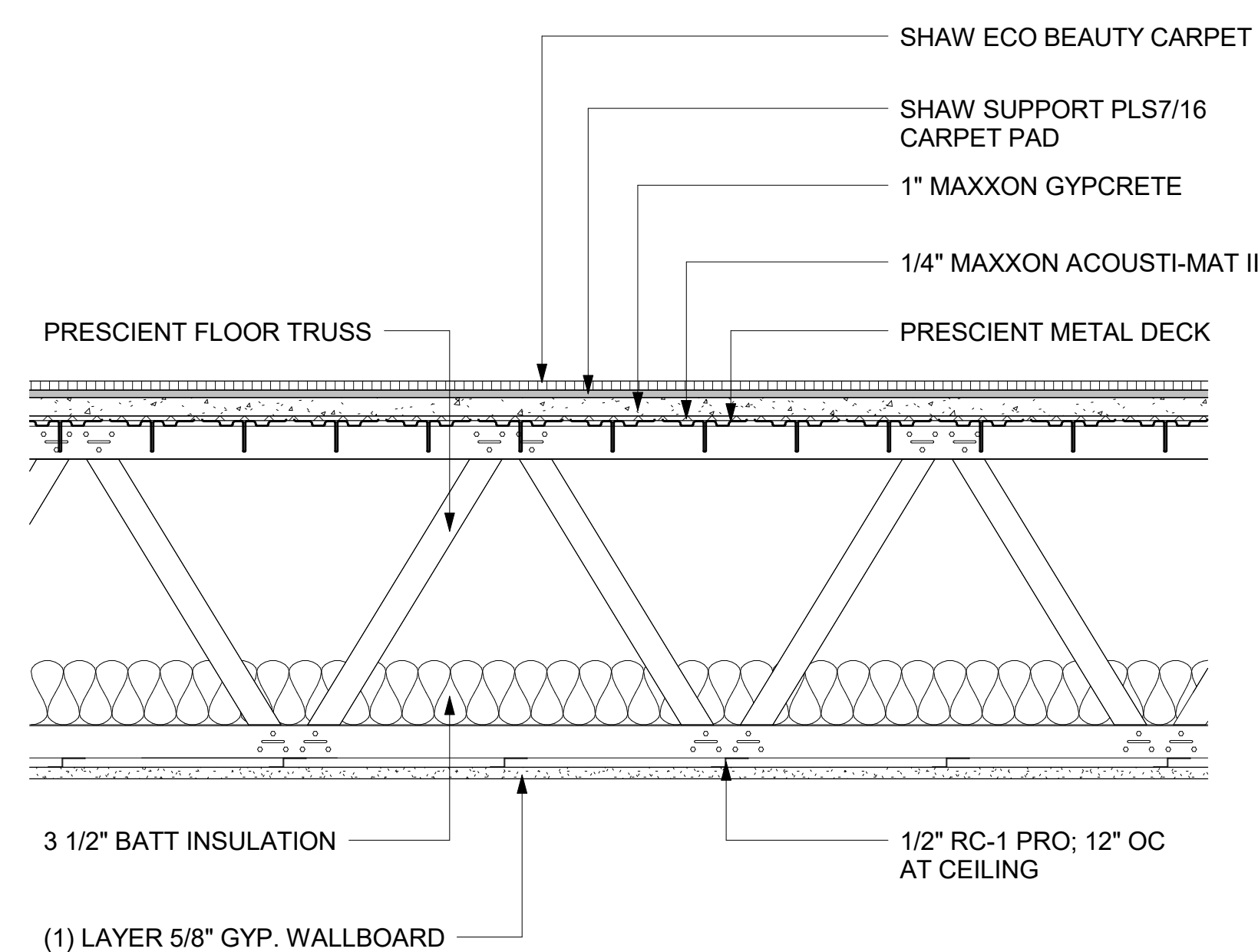
The drawings and all information related to the specifications, parameters, and the bills of materials, as provided herein, are intellectual property of Prescient, inc. (the "Prescient IP"). You shall not use the Prescient IP for anything other than for the project specified in the Permit Documents.



STC	56
IIC	75

SECTION

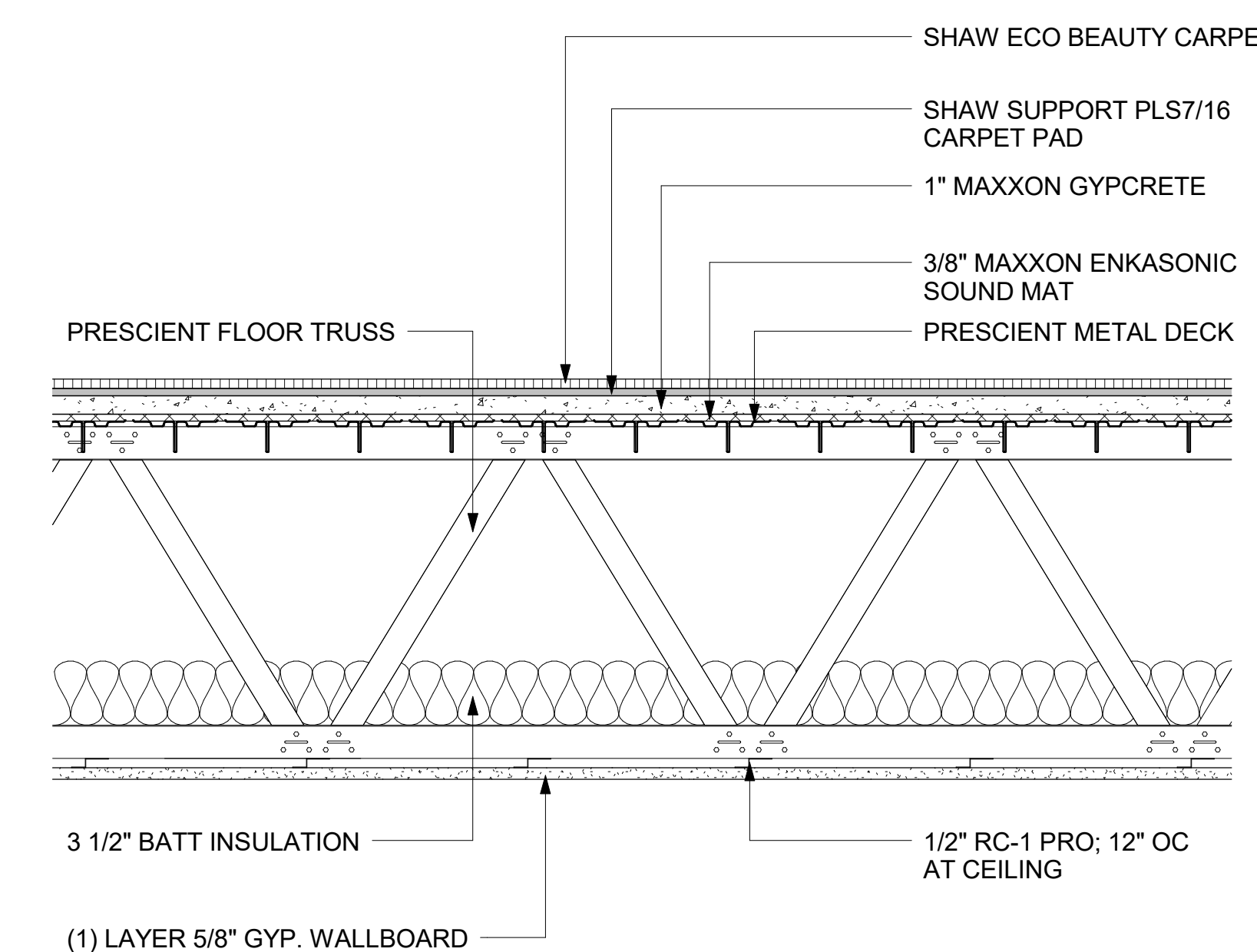
① Prescient Floor/Ceiling Assembly - Metal Deck with Carpet Finish (TYP)
1 1/2" = 1'-0"



STC	56
IIC	75

SECTION

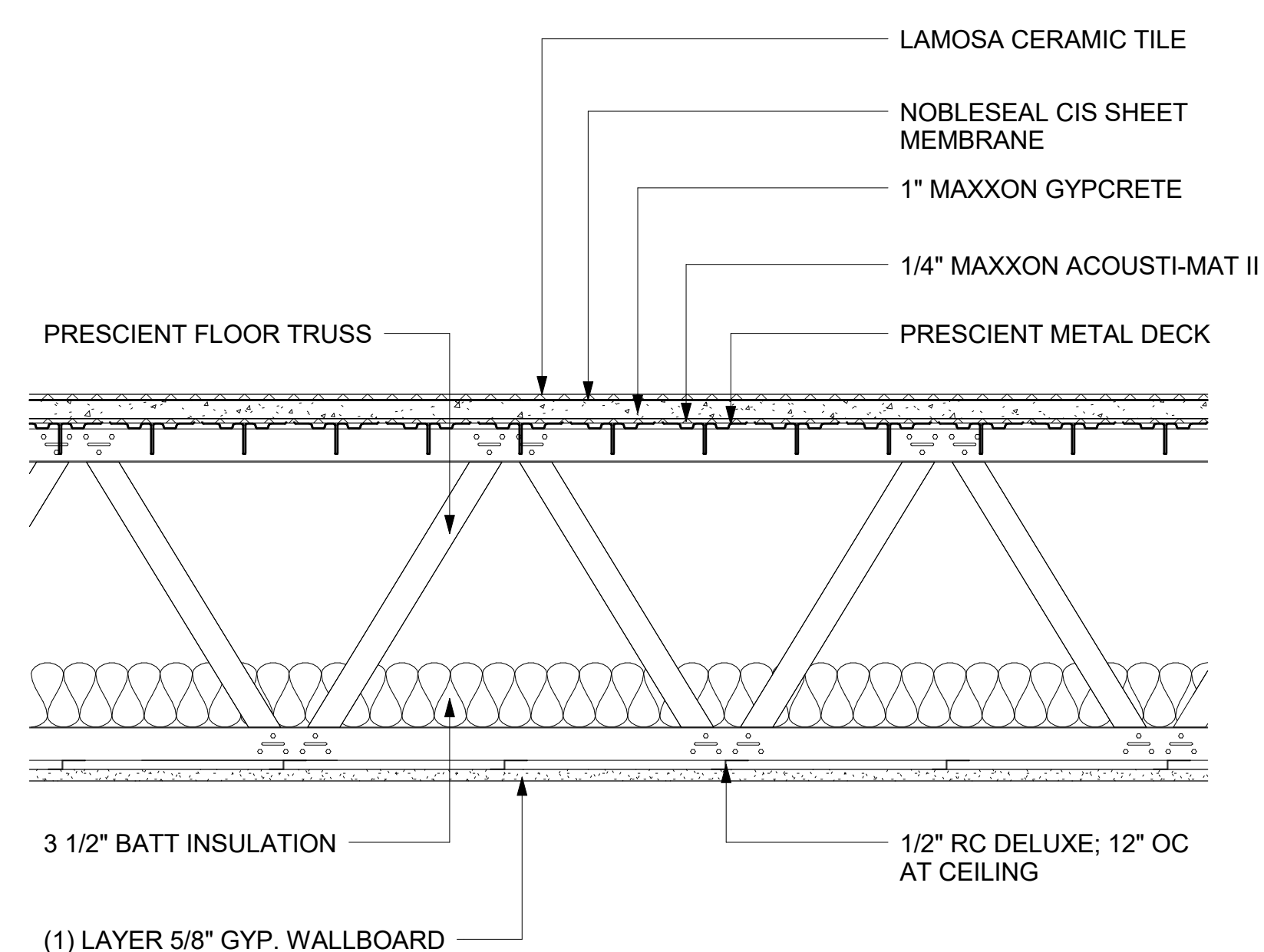
② Prescient Floor/Ceiling Assembly - Metal Deck with Carpet Finish (TYP)
1 1/2" = 1'-0"



STC	56
IIC	75

SECTION

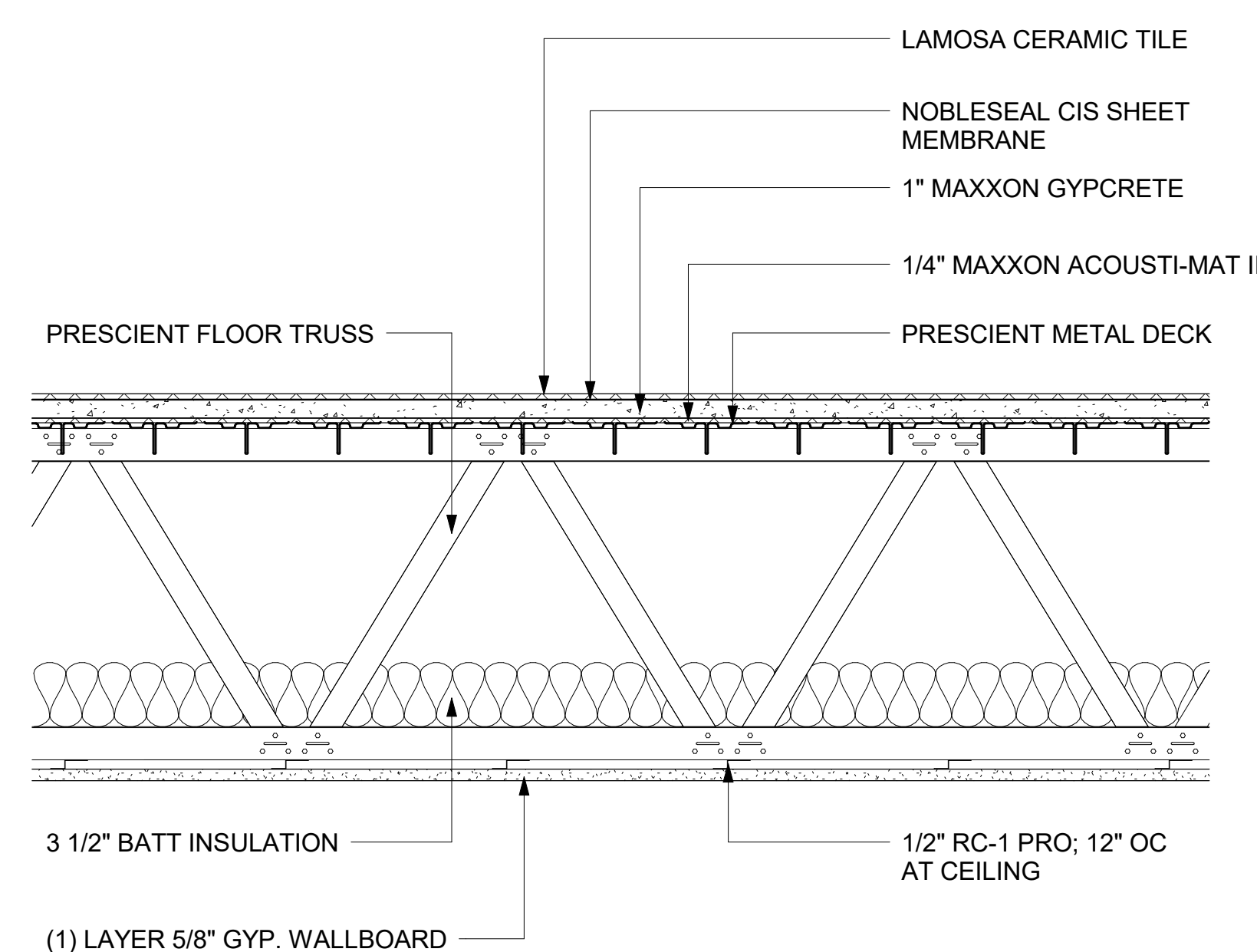
③ Prescient Floor/Ceiling Assembly - Metal Deck with Carpet Finish (TYP)
1 1/2" = 1'-0"



STC	57
IIC	53

SECTION

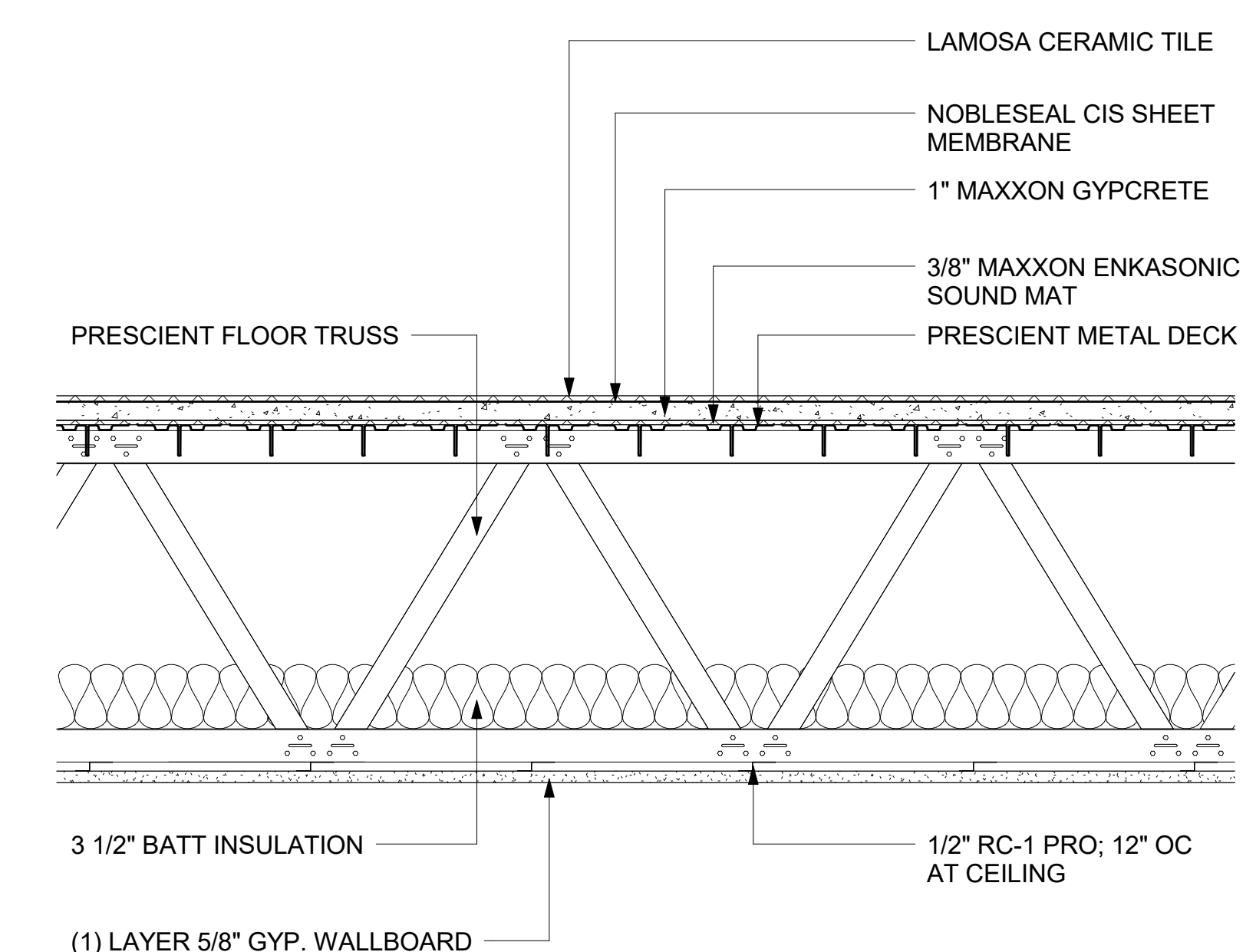
④ Prescient Floor/Ceiling Assembly - Metal Deck with Ceramic Tile Finish (TYP)
1 1/2" = 1'-0"



STC	56
IIC	51

SECTION

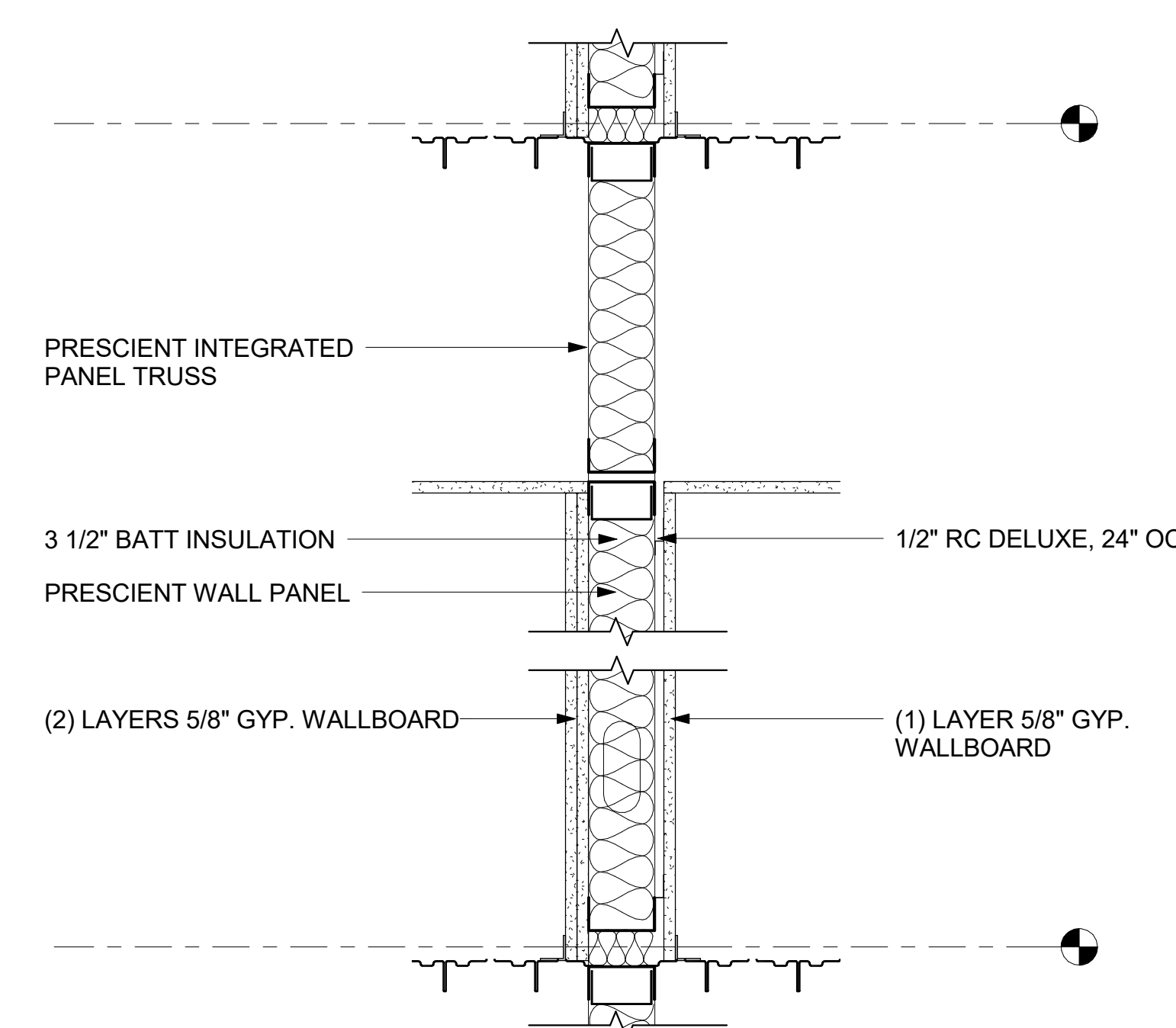
⑤ Prescient Floor/Ceiling Assembly - Metal Deck with Ceramic Tile Finish (TYP)
1 1/2" = 1'-0"



STC	54
IIC	51

SECTION

⑥ Prescient Floor/Ceiling Assembly - Metal Deck with Ceramic Tile Finish (TYP)
1 1/2" = 1'-0"



ASTC	52
------	----

SECTION

⑦ Demising/Corridor Prescient Wall - (TYP)
1 1/2" = 1'-0"

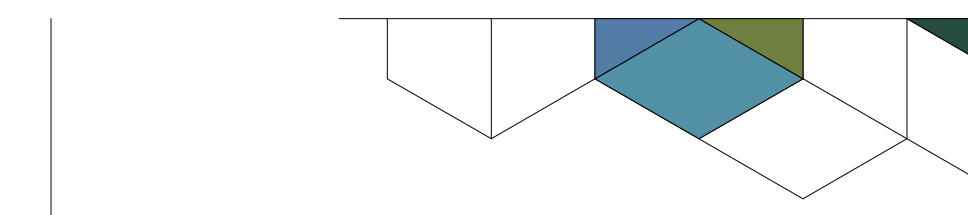
PRESCIENT SOUND ASSEMBLIES - FLOOR/CEILING - METAL DECK

WALL & FLOOR/CEILING LAB TEST RESULTS

PROJECT NO.	N505
DATE	11/17/17
DRWN BY	JDS
CHKD BY	EPH
SHEET NO.	

SP.9

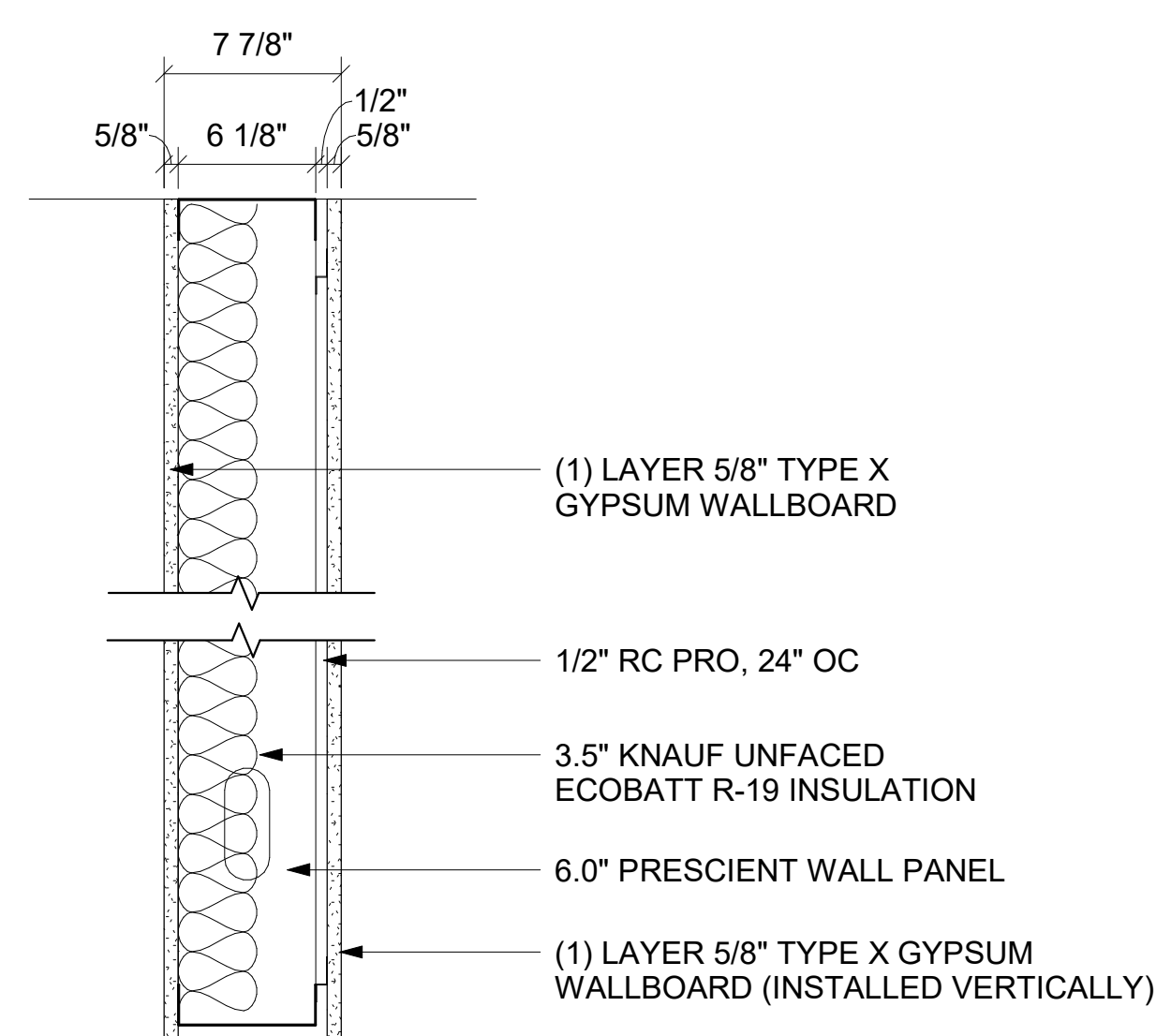
SCALE 1 1/2" = 1'-0"



PRESCIENT®
FASTER. BETTER. GREENER. CHEAPER.

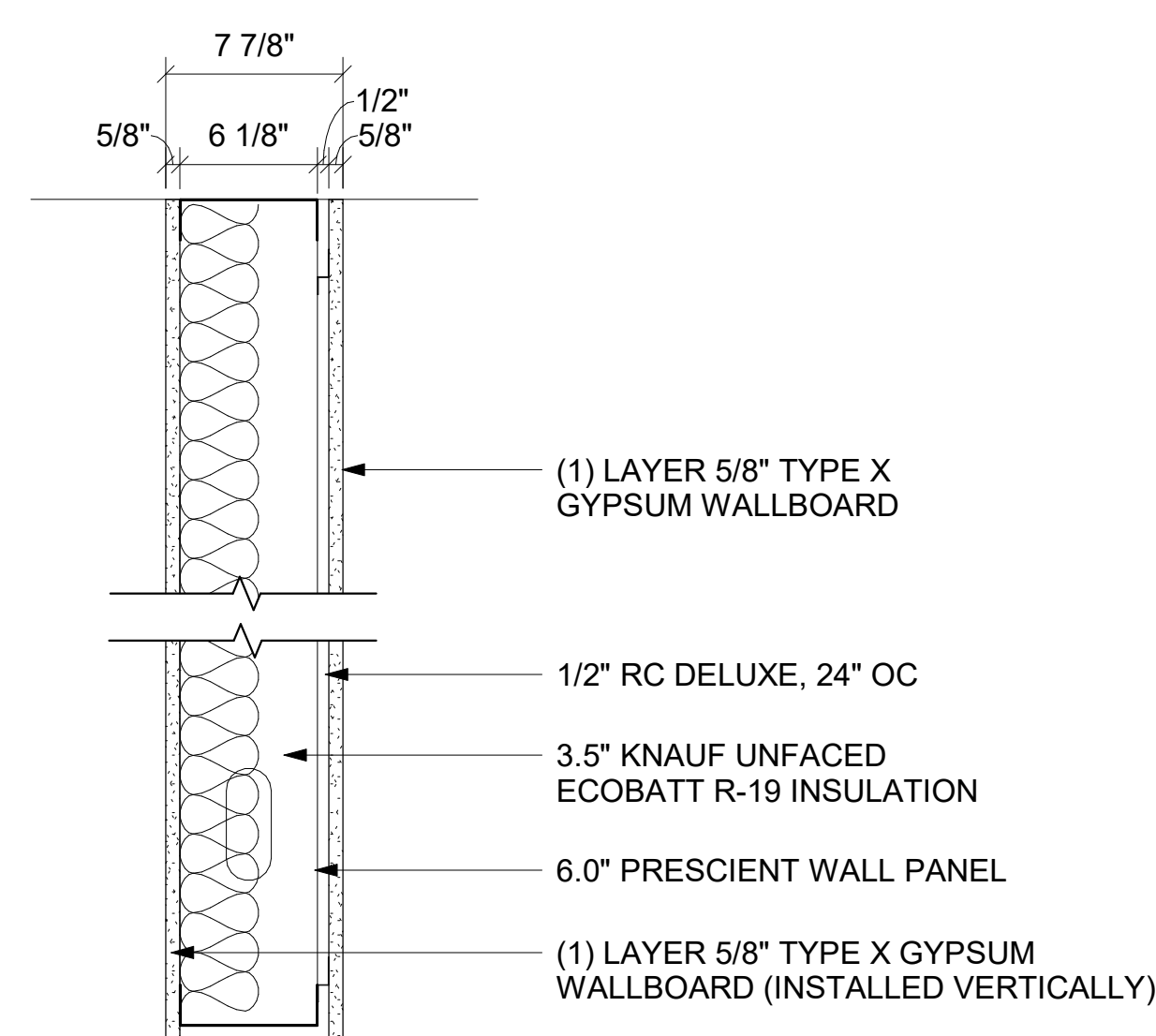
©2010-2017, PrescientCo Inc. ALL RIGHTS RESERVED. PrescientCo Inc. PRODUCTS MAY BE COVERED BY ONE OR MORE US AND FOREIGN PATENTS. SEE HTTP://WWW.PRESCIENTCO.COM/OUR-PATENTS/

The drawings and all information related to the specifications, parameters, and the bills of materials, as provided herein, are intellectual property of Prescient, Inc. (the "Prescient IP"). You shall not use the Prescient IP for anything other than for the project specified in the Permit Documents.



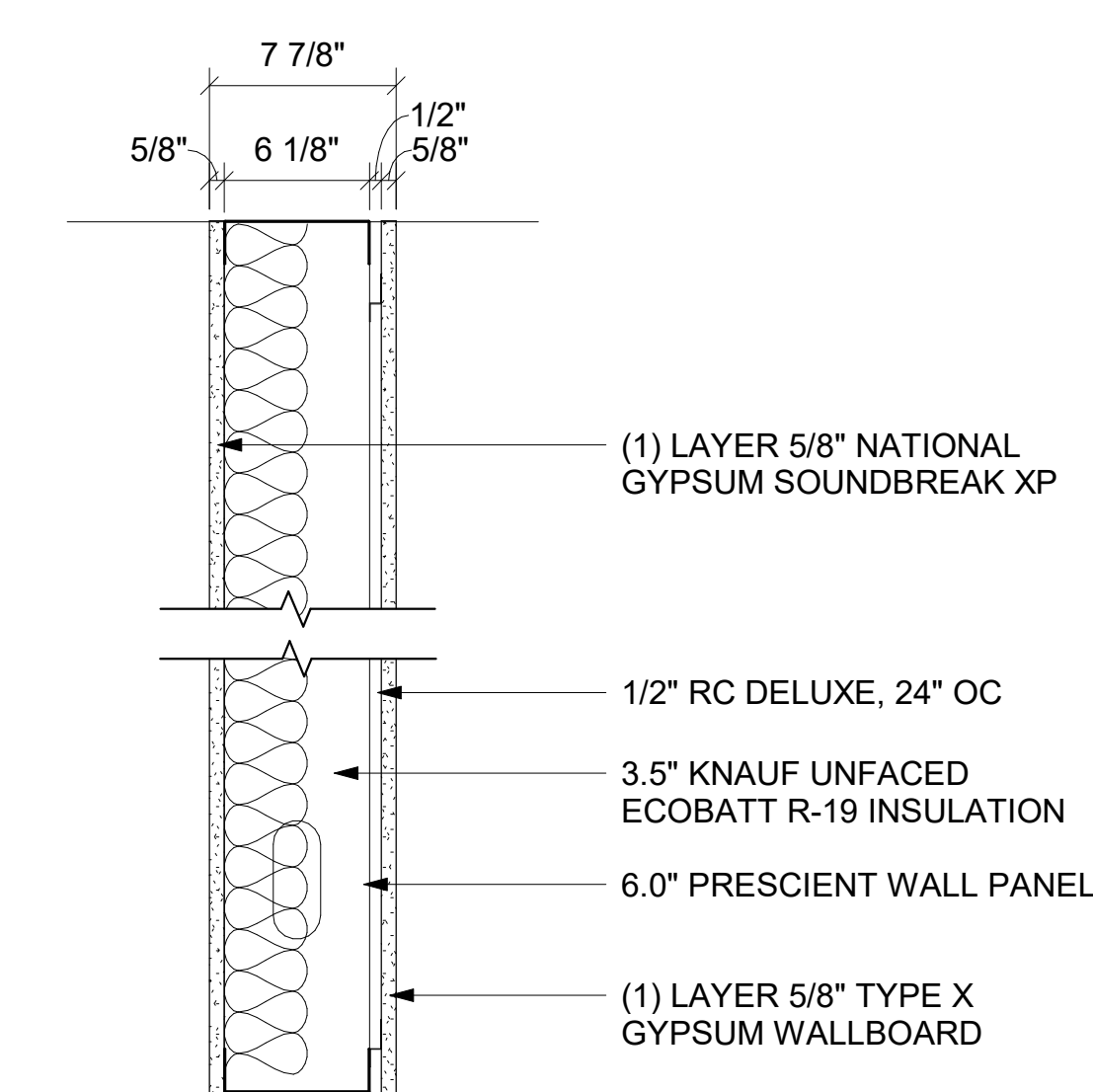
STC 49

1 Prescient Panel Internal Wall
NGC Report# 2019047
1 1/2" = 1'-0"



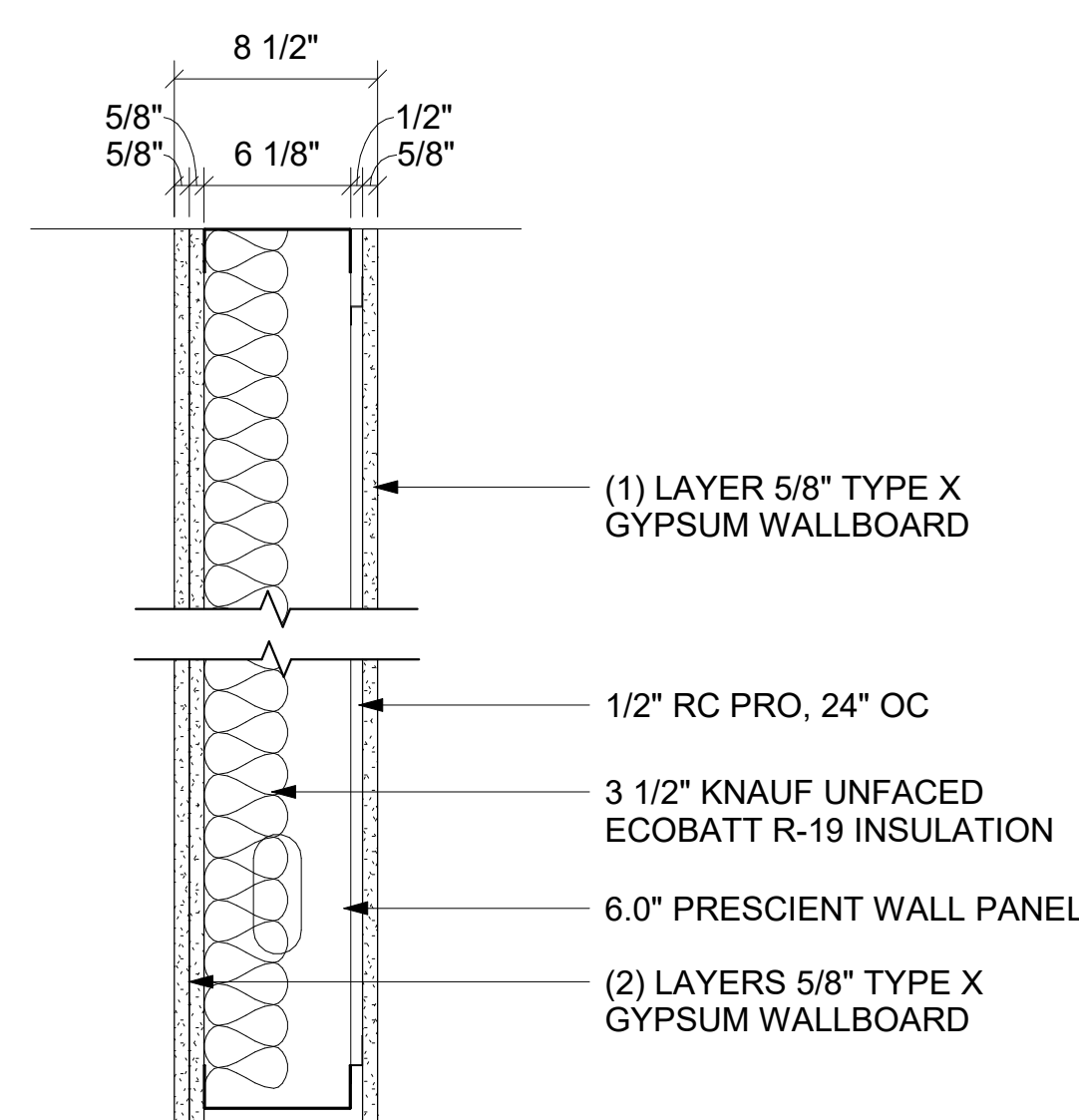
STC 50

2 Prescient Panel Corridor or Demising Wall
NGC Report# 2019048
1 1/2" = 1'-0"



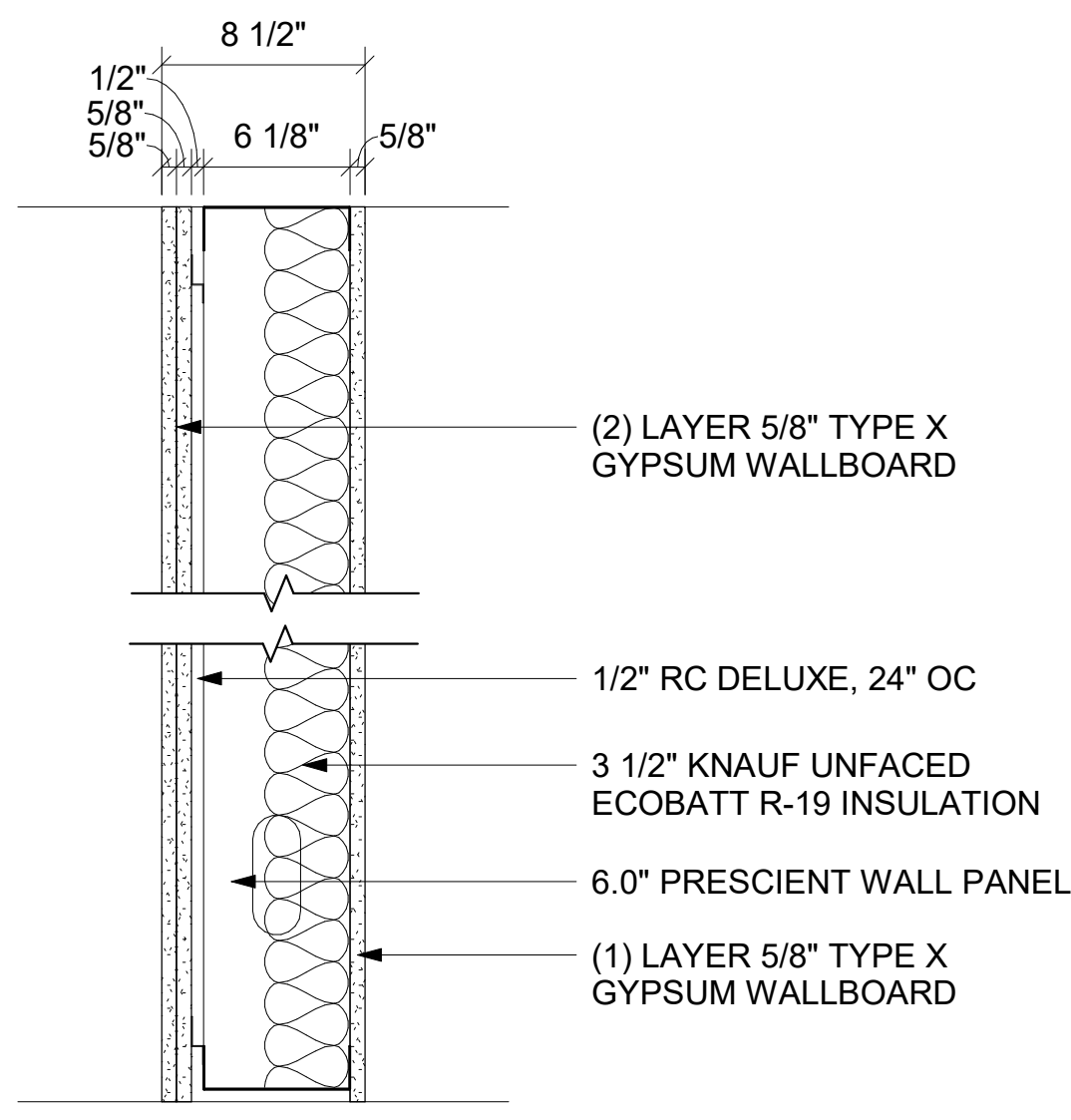
STC 57

3 Prescient Panel Corridor or Demising Wall
NGC Report# 2019049
1 1/2" = 1'-0"



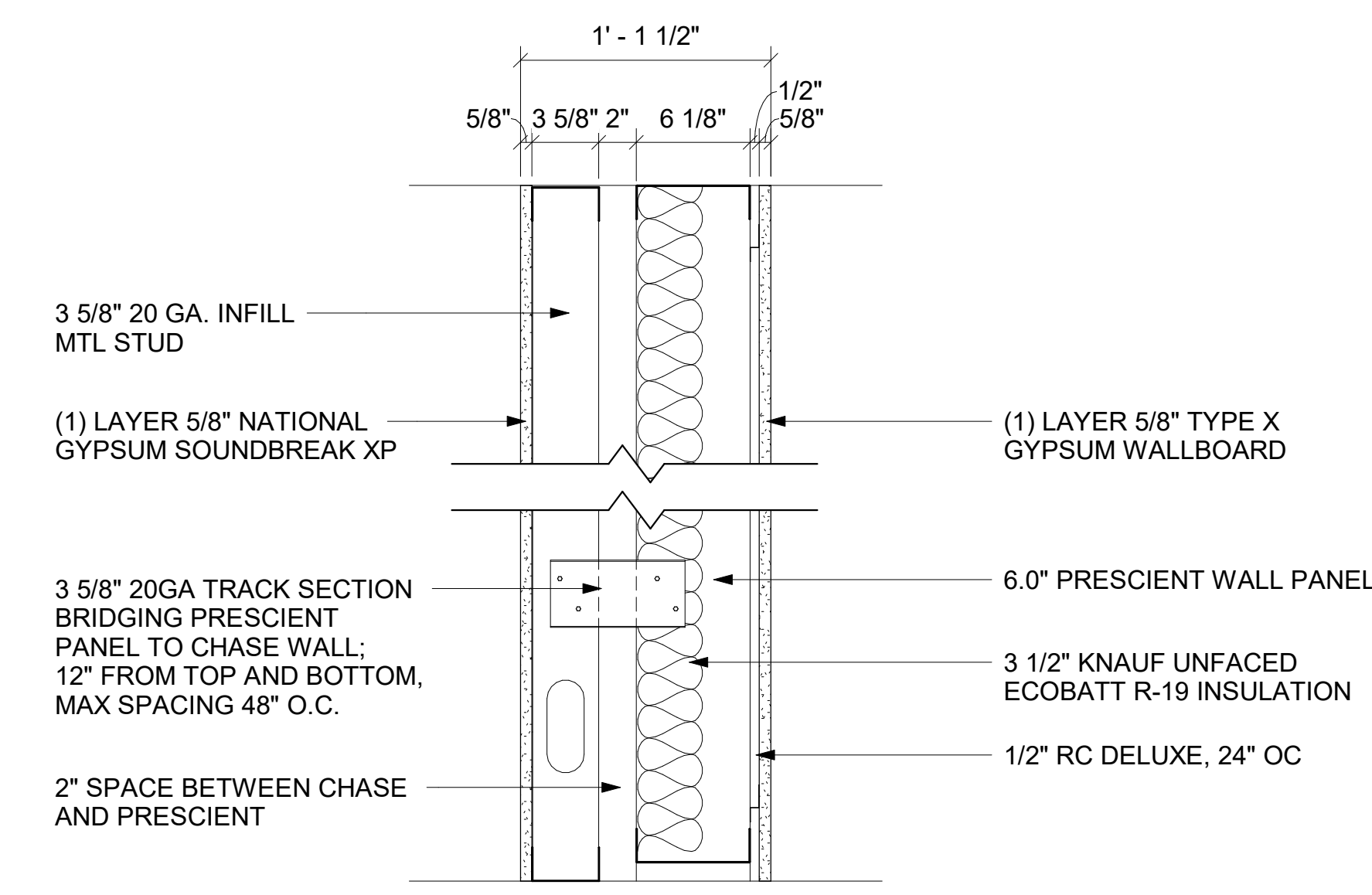
STC 55

4 Prescient Panel Corridor or Demising Wall
NGC Report# 2019050
1 1/2" = 1'-0"



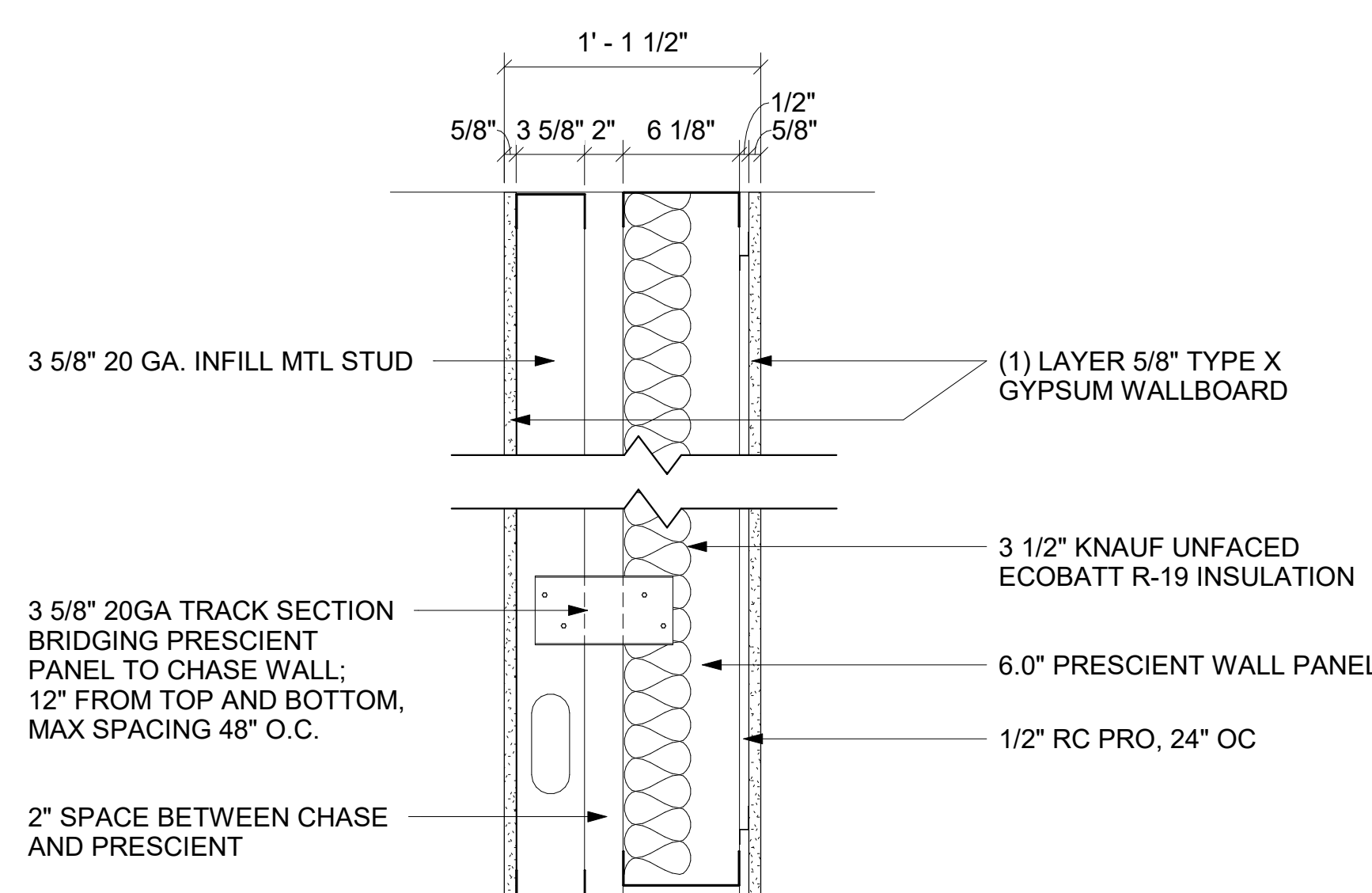
STC 57

5 Prescient Panel Corridor or Demising Wall
NGC Report# 2019051
1 1/2" = 1'-0"



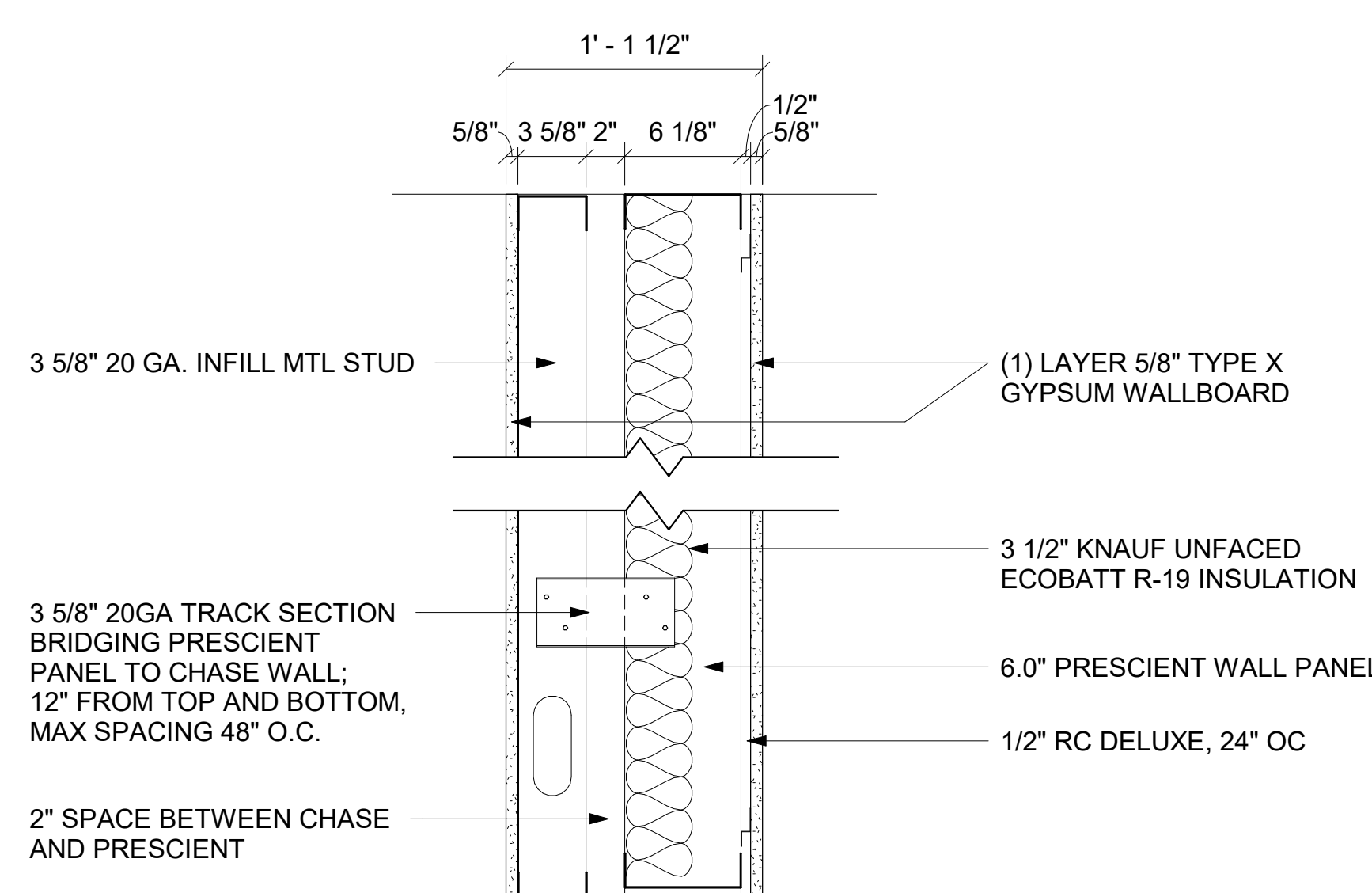
STC 62

6 Prescient Panel w/ Single Sided Plumbing
Wall w/ Gap; 1 Layer 5/8" Each Side
NGC Report# 2019052
1 1/2" = 1'-0"



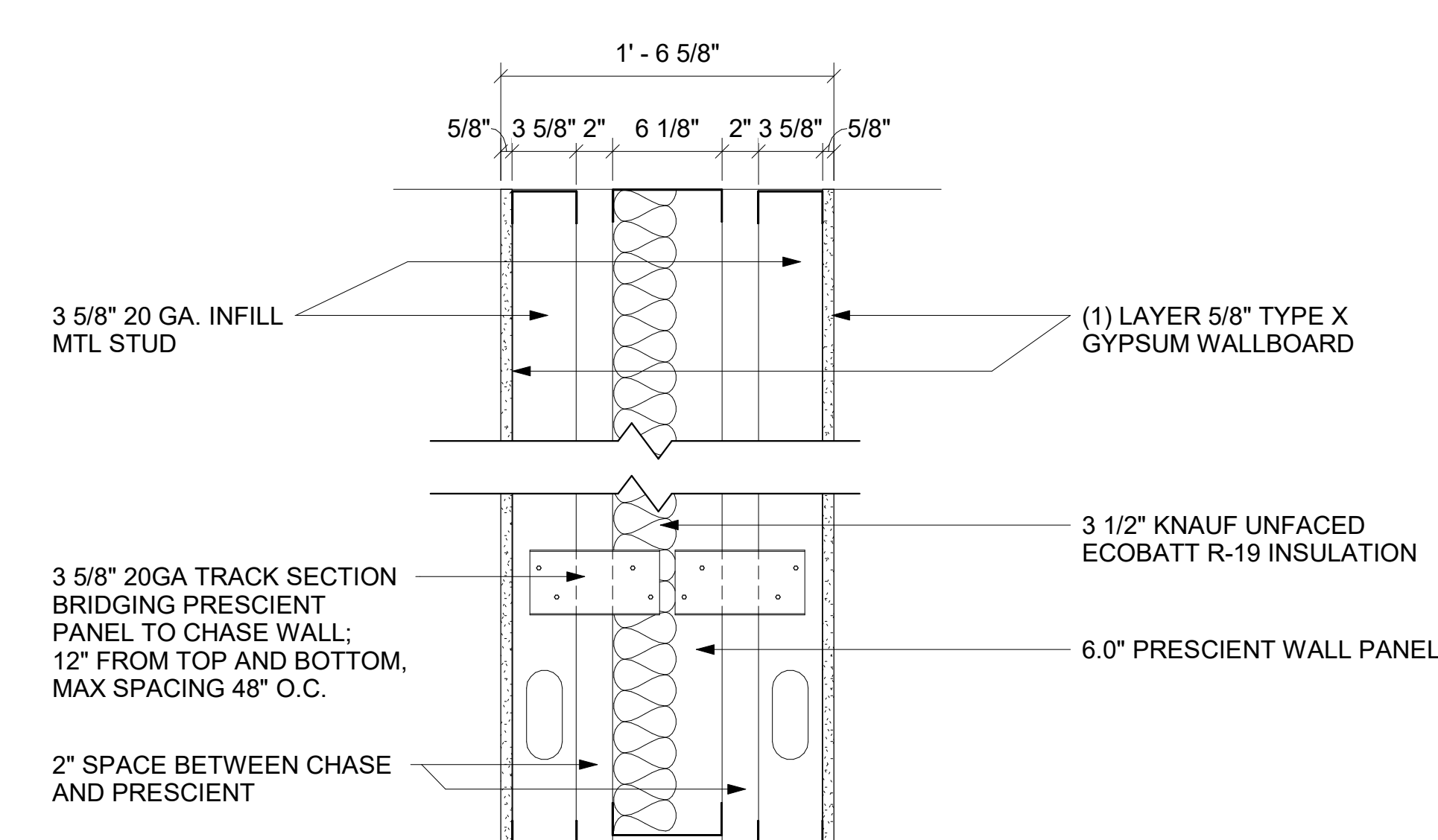
STC 58

7 Prescient Panel w/ Single Sided Plumbing
Wall w/ Gap; 1 Layer 5/8" Each Side
NGC Report# 2019053
1 1/2" = 1'-0"



STC 58

8 Prescient Panel w/ Single Sided Plumbing
Wall w/ Gap; 1 Layer 5/8" Each Side
NGC Report# 2019053
1 1/2" = 1'-0"



STC 55

8 Prescient Panel w/ Single Sided Plumbing
Wall w/ Gap; 1 Layer 5/8" Each Side
NGC Report# 2019054
1 1/2" = 1'-0"

PRESCIENT SOUND ASSEMBLIES

6" WALL PANEL LAB TESTS

PROJECT NO.	N505
DATE	06/20/19
DRWN BY	TH
CHKD BY	EH
SHEET NO.	

SP.10

SCALE 1 1/2" = 1'-0"