

This is the top 18" of the wall panel, within the ceiling assembly

TITLE:  
3.5" 16g 6' Truss only Panel

SHEET NAME:  
PTX-306-408000-0104-2243

PROJECT: Prescient Standards

**PRESICIENT**<sup>®</sup>  
FASTER, BETTER, GREENER, CHEAPER  
SOFTWARE VERSION: 1.0.41008.1034

PROPRIETARY AND CONFIDENTIAL

THE INFORMATION CONTAINED IN THIS DRAWING IS THE SOLE PROPERTY OF PRESCIENT COMPANY. ANY REPRODUCTION IN PART OR AS A WHOLE WITHOUT THE WRITTEN PERMISSION OF PRESCIENT COMPANY IS PROHIBITED.

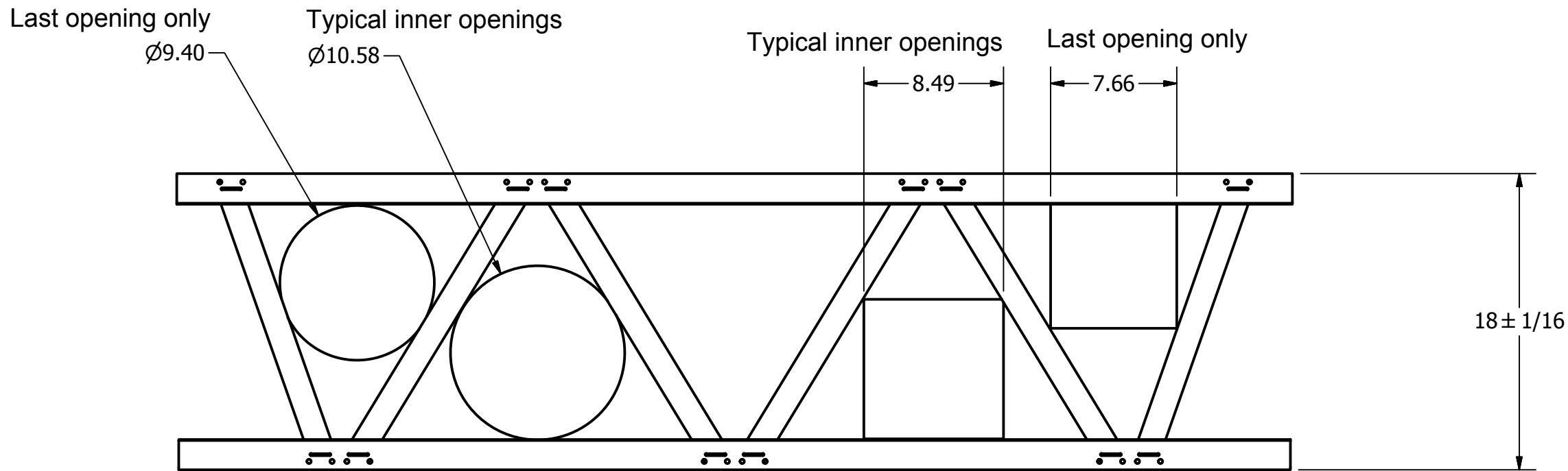
PATENT No.: US 8,528,204 B2  
PATENT No.: US 8,688,411 B2

DATE: 2014-10-22

SCALE: 3" = 1'-0"

DRAWING NUMBER:  
**Integrated Truss**

This is the standard 18" truss.



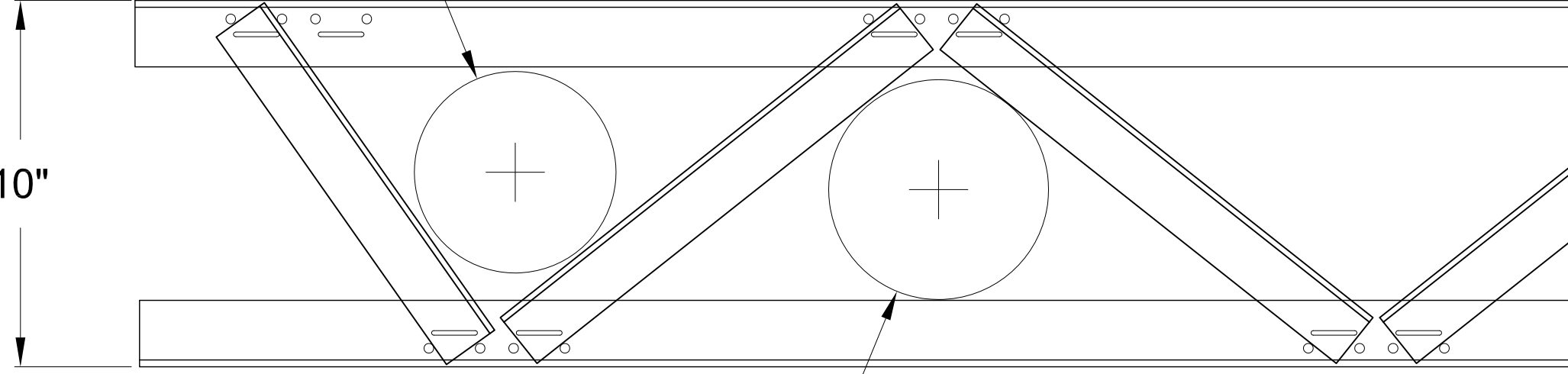
DRAWN HNP		DRAWN DATE 4/29/2013		<b>PRESCIENT</b> 6260 DOWNING STREET DENVER, CO 80216	
ECO		ECO DATE			
UNLESS OTHERWISE SPECIFIED DIMENSIONS ARE IN INCHES.				TITLE	
TOLERANCES:				TRUSS ASSEMBLY, HVAC ALLOWANCES	
FRACTIONAL				±1/32	
ANGULAR - MACHINED				±1°	
ANGULAR - BEND				±3°	
TWO PLACE DECIMAL				±.01	
THREE PLACE DECIMAL				±.005	
FOUR PLACE DECIMAL				±.0005	
MATERIAL				SIZE	PART NO./REV
FINISH				<b>B</b>	<b>TRUSS_A-EH</b>
THE INFORMATION CONTAINED IN THIS DRAWING IS THE SOLE PROPERTY OF PRESCIENT COMPANY. ANY REPRODUCTION IN PART OF AS A WHOLE WITHOUT THE WRITTEN PERMISSION OF PRESCIENT COMPANY IS PROHIBITED.				TRUSS_A-EH.idw	SHEET 1 OF 2

Ø5 1/2" ENDS

10"

Ø6" MIDDLE  
WEBS

This is the 10" truss that can be used in corridors if MEP requires that large elements be run below the truss assembly.



TITLE:

10" Floor Truss with Mech Duct

SHEET NAME:

Duct and Truss

PROJECT: Prescient Standards

DATE: 2016-03-12

SCALE: 3" = 1'-0"

PROPRIETARY AND CONFIDENTIAL  
THE INFORMATION CONTAINED IN THIS DRAWING IS  
THE SOLE PROPERTY OF PRESCIENT COMPANY. ANY  
REPRODUCTION IN PART OR AS A WHOLE WITHOUT  
THE WRITTEN PERMISSION OF PRESCIENT COMPANY  
IS PROHIBITED.

PATENT No.: US 8,528,294 B2  
PATENT No.: US 8,688,411 B2

**PRESCIENT**<sup>®</sup>  
FASTER, BETTER, GREENER, CHEAPER

SOFTWARE VERSION: 1.0.41008.1034

DRAWING NUMBER:

**10" Prescient Floor Truss**